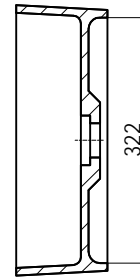
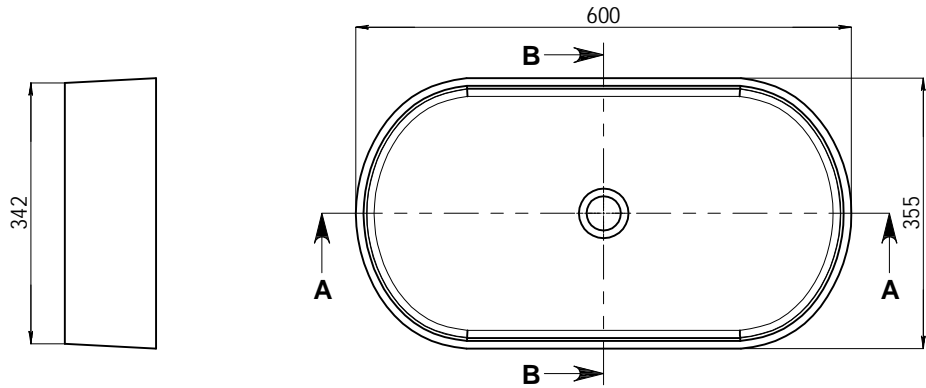
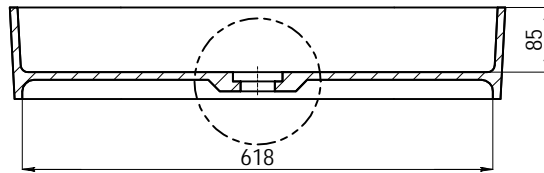
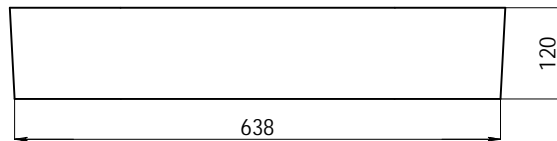
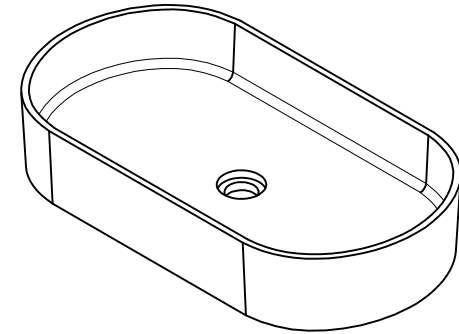


DRAFT COPY

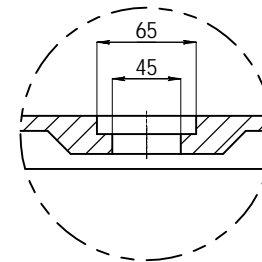
DO NOT SCALE. IF IN DOUBT ASK!



SECTION B-B



SECTION A-A



DETAIL D
SCALE 1:2

COLOUR
QTY
APPROVED BY:
NAME & SIGNATURE
DATE APPROVED:

- NOTES
- ALL INTERNAL CORNERS TO BE R5 UNLESS OTHERWISE STATED.
 - BASINS IN AUSTRALIA COME WITH GLOSS FINISH ONLY ON SPECIAL ORDER - 8 WEEKS DELAY (SURCHARGE APPLIES). ALL BASINS DO NOT COME WITH A WASTE FITTING.

COPYRIGHT © APPLIES DUPPLICATION OF THIS DRAWING OR ANY SPECIFIC DESIGN FEATURES IS NOT PERMITTED WITHOUT WRITTEN AUTHORITY. "COMMERCIAL CONFIDENTIALITY" IS ASSUMED AND REQUIRED.

UNLESS OTHERWISE STATED ALL DIMENSIONS IN MILLIMETERS	MATERIAL:	KASKADE STONE		DRAWING NUMBER	
	FINISH:	REFER TO ORDER		Bowl-S3	
DRAWING LEGEND	N.W	8.5 kg	Product Size	600X355X120	SCALE 1:1
	G.W	kg	Package size		A4
	LINEAR / ANGULAR TOLERANCES		DRAWN	KASKADE	DATE
	No Decimals	1 Decimal	2 Decimals	02/03/15	REV 1
	±5		±3°	CHK'D	DATE

REV	DESCRIPTION	DWG	DATE	CHK'D	DATE
1	RELEASE DATE.	KASKADE	02/03/15		

KASKADE
STONE
www.kaskadebaths.de