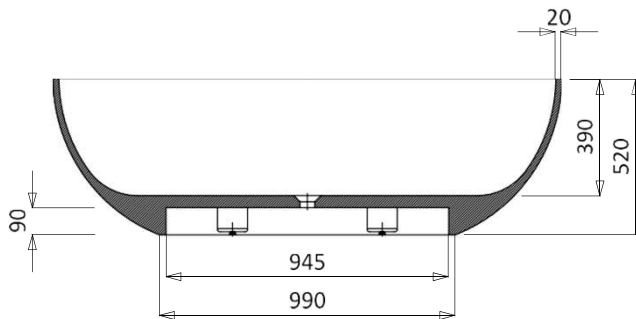
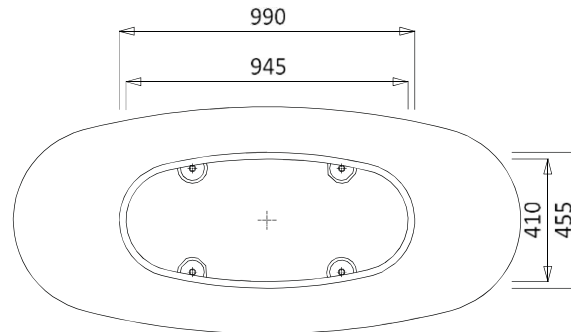
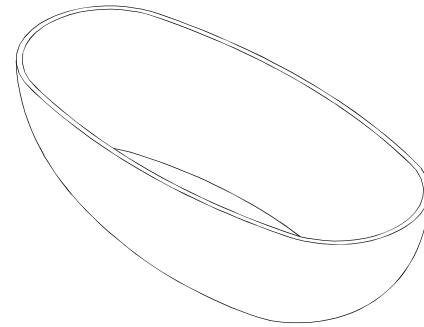
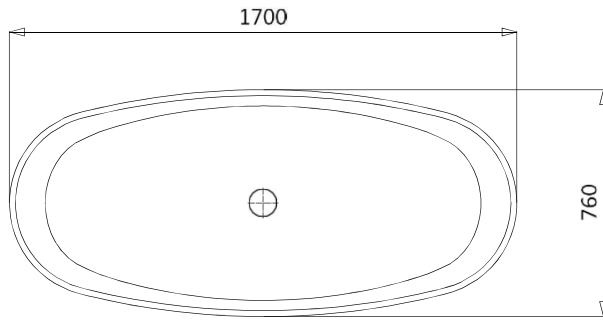


DRAFT COPY

DO NOT SCALE. IF IN DOUBT A SK!



COLOUR
QTY
APPROVED BY:
NAME & SIGNATURE
DATE APPROVED:

- NOTES
 1. ALL INTERNAL CORNERS TO BE R5 UNLESS OTHERWISE STATED.
 2. AS ALL KASKADE PRODUCTS ARE HAND FINISHED A 2-5mm TOLERANCE IS ALLOWED.

COPYRIGHT APPLIES DUPLICATION OF THIS DRAWING OR ANY SPECIFIC DESIGN FEATURES IS NOT PERMITTED WITHOUT WRITTEN AUTHORITY. "COMMERCIAL CONFIDENTIALITY" IS ASSUMED AND REQUIRED.

UNLESS OTHERWISE STATED ALL DIMENSIONS IN MILLIMETERS		MATERIAL: KASKADESTONE	DRAWING NUMBER: Calpurnia-RS39	SCALE: 1:1	A4
DRAWING LEGEND		FINISH: REFER TO ORDER	Product Size: 1700X750X520 Package size: 1770X900X680	SHEET 1 OF 1	REV. 1
		N.W. kg G.W. kg			
LINEAR/ANGULAR TOLERANCES		BROWN: KASKADE CHKD: DATE: 02/03/15			
No Decimals Decimals Fractions		±.5 ±.3			

REV	DESCRIPTION	DWG	DATE	CHKD	DATE
1	RELEASE DATE.	KASKADE	02/03/15		