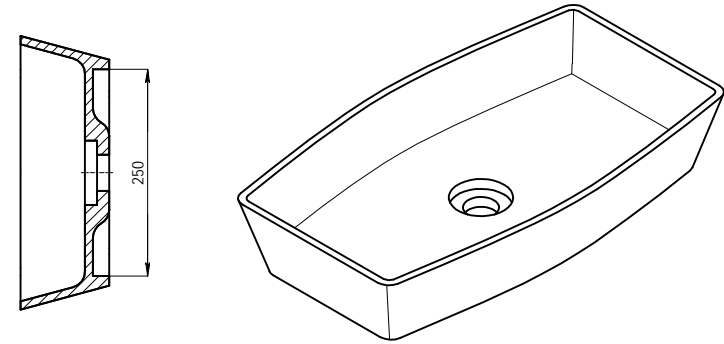
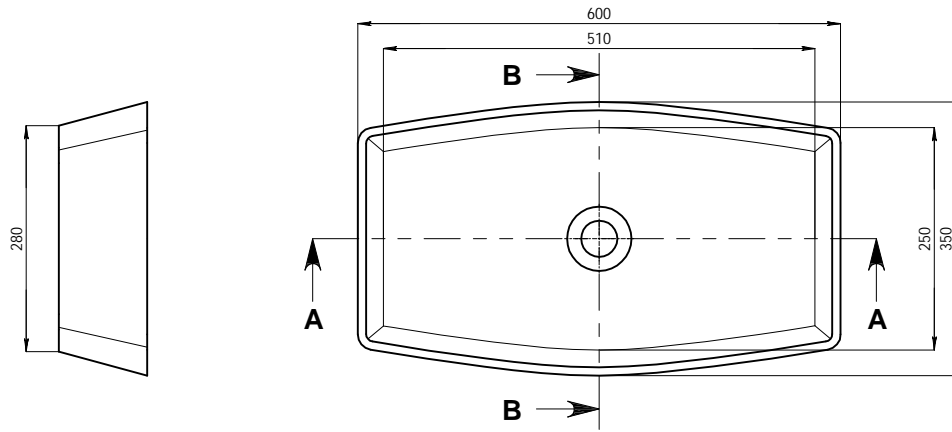
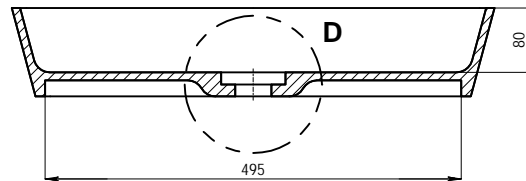
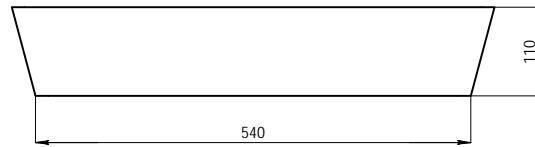


DRAFT COPY

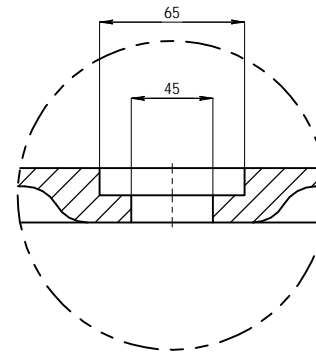
DO NOT SCALE. IF IN DOUBT ASK!



SECTION B-B



SECTION A-A



DETAIL D
SCALE 1:2

| |
|------------------|
| COLOUR |
| |
| QTY |
| |
| APPROVED BY: |
| |
| NAME & SIGNATURE |
| DATE APPROVED: |
| |

NOTES

- ALL INTERNAL CORNERS TO BE R5 UNLESS OTHERWISE STATED.
- BASINS IN AUSTRALIA COME WITH GLOSS FINISH ONLY ON SPECIAL ORDER - 8 WEEKS DELAY (SURCHARGE APPLIES). ALL BASINS DO NOT COME WITH A WASTE FITTING.

COPYRIGHT © APPLIES DUPLICATION OF THIS DRAWING OR ANY SPECIFIC DESIGN FEATURES IS NOT PERMITTED WITHOUT WRITTEN AUTHORITY. "COMMERCIAL CONFIDENTIALITY" IS ASSUMED AND REQUIRED.

| | | | | | |
|--|-----------------------------|----------------|--------------|----------------|----------|
| UNLESS OTHERWISE STATED ALL DIMENSIONS IN MILLIMETERS | MATERIAL: | KASKADE STONE | | DRAWING NUMBER | |
| | FINISH: | REFER TO ORDER | | Amadea -RSA9 | |
| DRAWING LEGEND | N.W | 9 kg | Product Size | 600X350X110 | |
| | G.W | 11 kg | Package size | 640x390x180 | |
| | LINEAR / ANGULAR TOLERANCES | DRAWN | | DATE | |
| | No Decimal | 1 Decimal | 2 Decimals | KASKADE | 02/03/15 |
| | ±5 | | ±3° | CHK'D | DATE |
| 1 | RELEASE DATE. | KASKADE | 02/03/15 | | |
| REV | DESCRIPTION | DWG | DATE | CHK'D | DATE |

