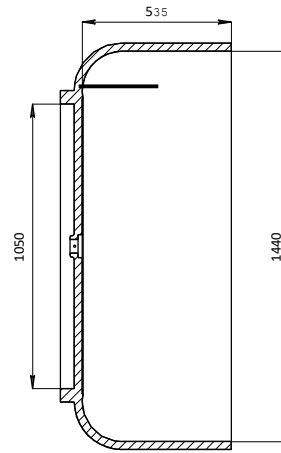
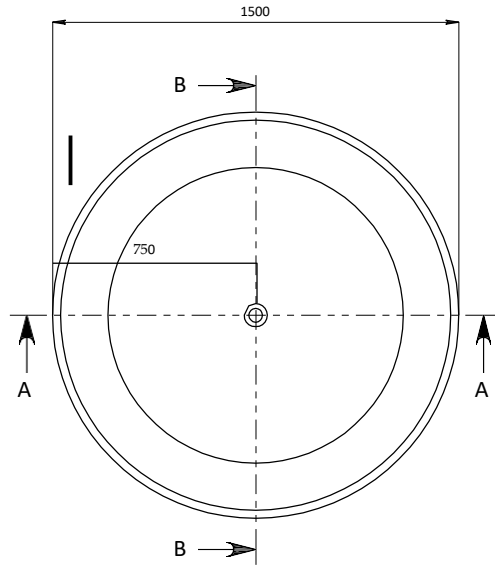
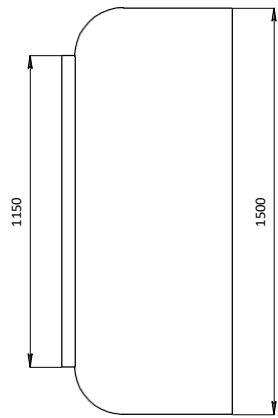
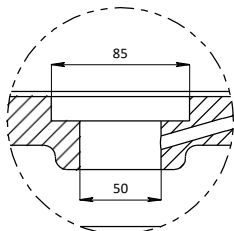
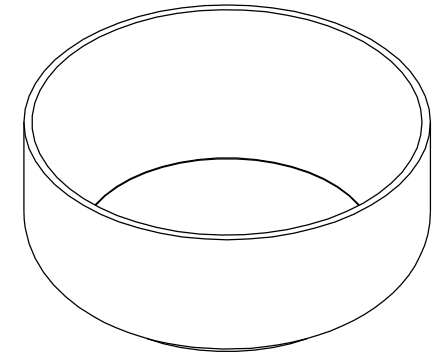


DRAFT COPY

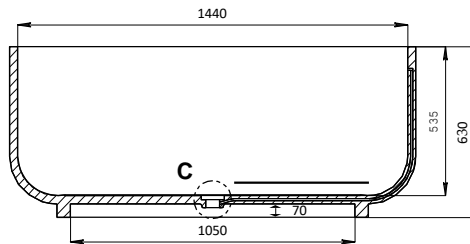
DO NOT SCALE. IF IN DOUBT ASK!



SECTION B-B



DETAIL C
SCALE 1:4



SECTION A-A

COLOUR
QTY
APPROVED BY:
<small>NAME & SIGNATURE</small>
DATE APPROVED:

- NOTES
1. ALL INTERNAL CORNERS TO BE R5 UNLESS OTHERWISE STATED.
 2. AS ALL KASKADE PRODUCTS ARE HAND FINISHED A 2-5mm TOLERANCE IS ALLOWED.

COPYRIGHT APPLIES. DUPLICATION OF THIS DRAWING OR ANY SPECIFIC DESIGN FEATURES IS NOT PERMITTED WITHOUT WRITTEN AUTHORITY. "COMMERCIAL CONFIDENTIALITY" IS ASSUMED AND REQUIRED.

UNLESS OTHERWISE STATED, ALL DIMENSIONS IN MILLIMETERS	MATERIAL:	KASKADE STONE	DRAWING NUMBER	SCALE 1:1	A4
	FINISH:	REFER TO ORDER	Omnia-RS13(1500)	SHEET 1 OF 1	REV. 1
DRAWING LEGEND	N.W.	269 kg	Product Size	1500X1500X630	
	G.W.	342 kg	Package size	1620X1620X780	
	LINEAR / ANGULAR TOLERANCES	±0.1	DRAWN	KASKADE	DATE
	No Decimals / Decimal 20 decimals	±0.1	CHK'D	DATE	02/03/15

REV	DESCRIPTION	DWG	DATE	CHK'D	DATE
1	RELEASE DATE.	KASKADE	02/03/15		

KASKADE
STONE
www.kaskadebaths.de