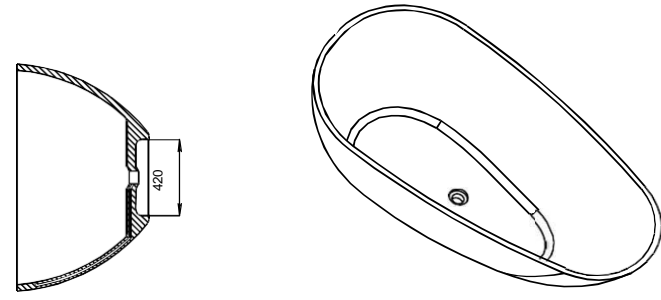
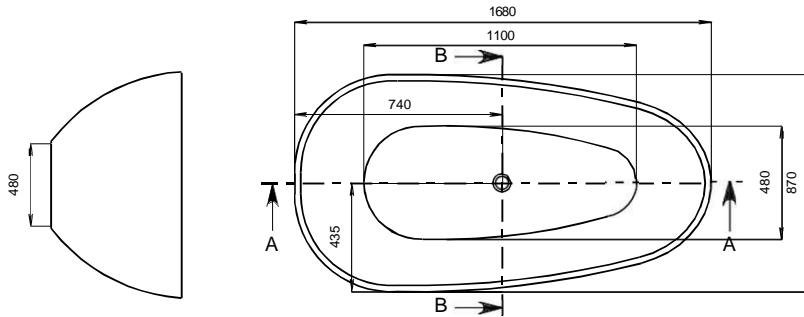


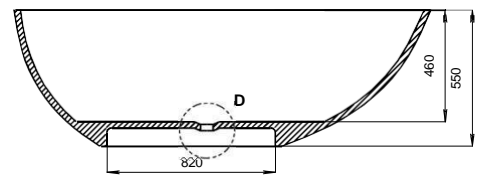
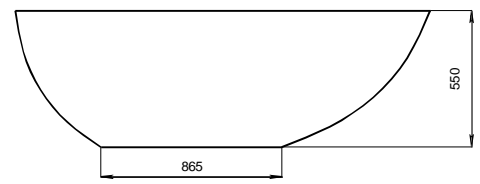
DRAFT COPY

DO NOT SCALE. IF IN DOUBT ASK!

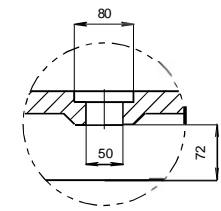
Dimensions in this drawing have been provided by the factory to their best knowledge and belief; we recommend awaiting delivery of the product to ensure complete accuracy. KASKADE will accept no responsibility for consequential loss if reliance is placed on dimensions in this drawing\* -30th.Aug.2019.



SECTION B-B



SECTION A-A



DETAIL D  
SCALE 1:3

<b>COLOUR</b>
<b>QTY</b>
<b>APPROVED BY:</b>
<small>NAME &amp; SIGNATURE</small>
<b>DATE APPROVED:</b>

- NOTES
1. ALL INTERNAL CORNERS TO BE R5 UNLESS OTHERWISE STATED.
  2. AS ALL KASKADE PRODUCTS ARE HAND FINISHED A 2-5mm TOLERANCE IS ALLOWED.

REV	DESCRIPTION	DWG	DATE	CHK'D	DATE
1	RELEASE DATE.	KASKADE	02/03/15		

COPYRIGHT © AS DUPLICATION OF THIS DRAWING OR ANY SPECIFIC DESIGN FEATURES IS NOT PERMITTED WITHOUT WRITTEN AUTHORITY. COMMERCIAL CONFIDENTIALITY IS ASSUMED. AND REQUIRED.

UNLESS OTHERWISE STATED ALL DIMENSIONS IN MILLIMETERS		MATERIAL: KASKADESTONE	DRAWING NUMBER: Viva-RS3-1680	SCALE 1:1	A4
DRAWING LEGEND		FINISH: REFER TO ORDER	N.W 159 kg Product Size 1680X870X550 G.W 208 kg Package Size 1770X920X720	SHEET 1 OF 1 REV 1	
		LINEAR / ANGULAR TOLERANCES: ±0.10		 www.kaskadebaths.de	
		DATE: 02/03/15			