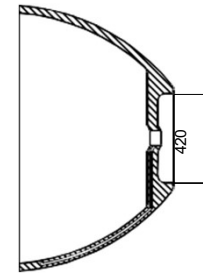
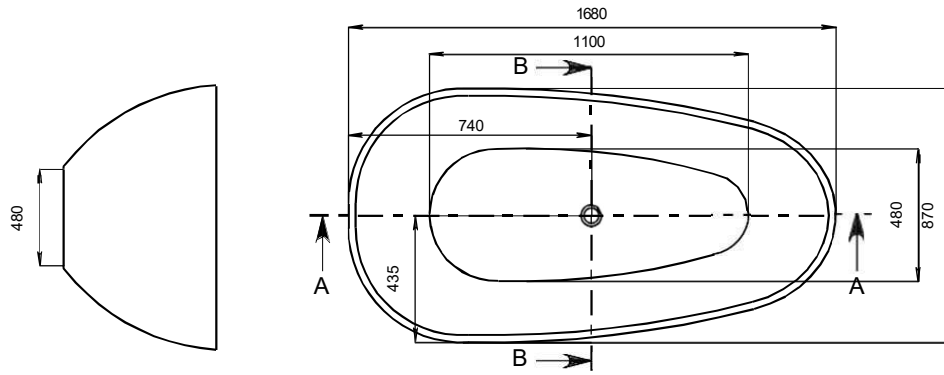


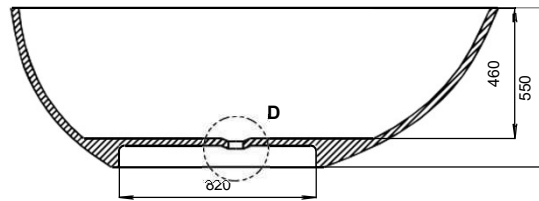
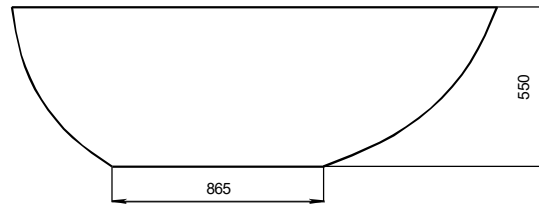
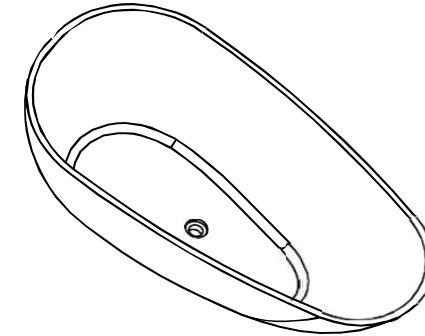
DRAFT COPY

DO NOT SCALE. IF IN DOUBT ASK!

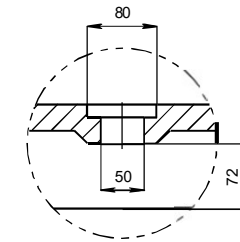
Dimensions in this drawing have been provided by the factory to their best knowledge and belief; we recommend awaiting delivery of the product to ensure complete accuracy. KASKADE will accept no responsibility for consequential loss if reliance is placed on dimensions in this drawing"-30th.Aug.2019.



SECTION B-B



SECTION A-A



DETAIL D  
SCALE 1:3

<b>COLOUR</b>
<b>QTY</b>
<b>APPROVED BY:</b>
<small>NAME &amp; SIGNATURE</small>
<b>DATE APPROVED:</b>

NOTES

- ALL INTERNAL CORNERS TO BE R5 UNLESS OTHERWISE STATED.
- AS ALL KASKADE PRODUCTS ARE HAND FINISHED A 2-5mm TOLERANCE IS ALLOWED.

COPYRIGHT IAS DUPLICATION OF THIS DRAWING OR ANY SPECIFIC DESIGN FEATURES IS NOT PERMITTED WITHOUT WRITTEN AUTHORITY. COMMERCIAL CONFIDENTIALITY IS ASSUMED AND REQUIRED.

UNLESS OTHERWISE STATED ALL DIMENSIONS IN MILLIMETERS		MATERIAL: <b>KASKADESTONE</b>	DRAWING NUMBER <b>Viva-RS3-1680</b>	SCALE 1:1	<b>A4</b>
DRAWING LEGEND		FINISH: <b>REFER TO ORDER</b>	SHEET 1 OF 1 REV <b>1</b>		
N.W		159 kg	Product Size	1680X870X550	
G.W		208 kg	Package size	1770X970X720	
LINEAR / ANGULAR TOLERANCES		DATE <b>VERIFIED BH 2022023</b>			
DRAWING <b>KASKADE 02/03/15</b>		DATE			
DATE		DATE			



[www.kaskadebaths.de](http://www.kaskadebaths.de)

REV	DESCRIPTION	DWG	DATE	CHK'D	DATE
1	RELEASE DATE.	KASKADE	02/03/15		