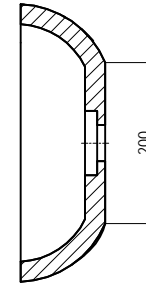
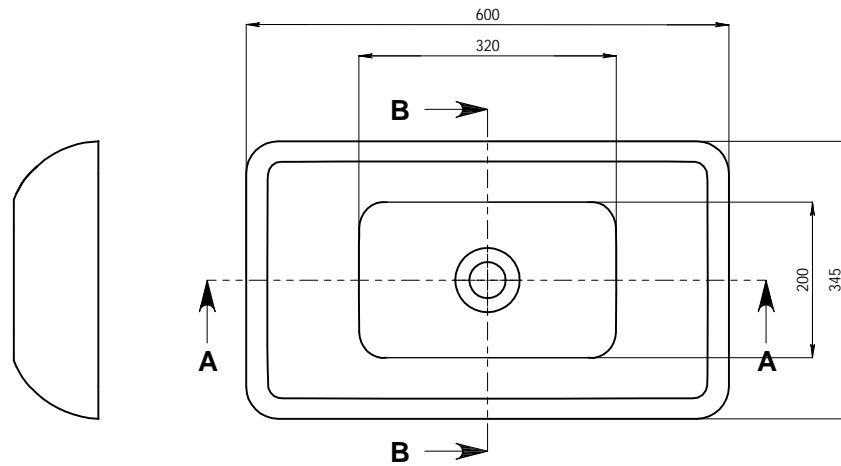
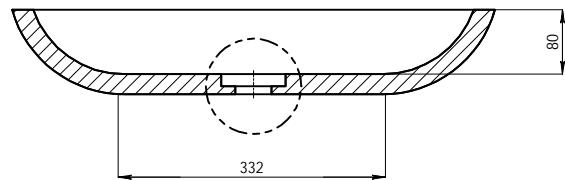
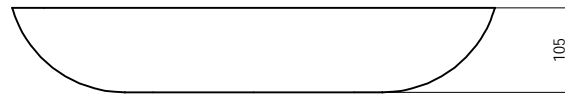
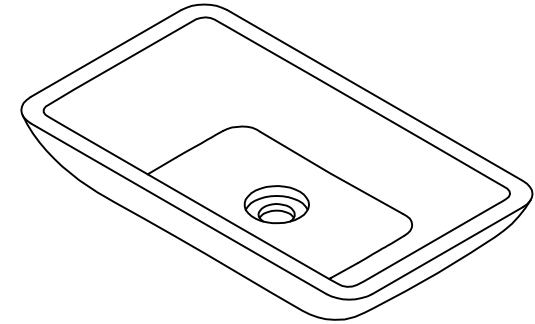


DRAFT COPY

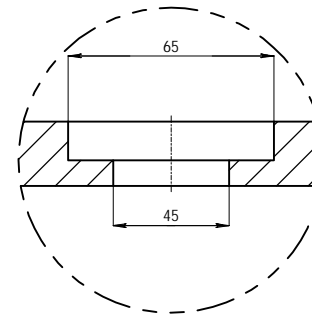
DO NOT SCALE. IF IN DOUBT ASK!



SECTION B-B



SECTION A-A


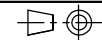


DETAIL D  
SCALE 1:3

COLOUR
QTY
APPROVED BY:
NAME & SIGNATURE
DATE APPROVED:

- NOTES
- ALL INTERNAL CORNERS TO BE R5 UNLESS OTHERWISE STATED.
  - BASINS IN AUSTRALIA COME WITH GLOSS FINISH ONLY ON SPECIAL ORDER - 8 WEEKS DELAY (SURCHARGE APPLIES). ALL BASINS DO NOT COME WITH A WASTE FITTING.

COPYRIGHT © APPLIES DUPPLICATION OF THIS DRAWING OR ANY SPECIFIC DESIGN FEATURES IS NOT PERMITTED WITHOUT WRITTEN AUTHORITY. "COMMERCIAL CONFIDENTIALITY" IS ASSUMED AND REQUIRED.

UNLESS OTHERWISE STATED ALL DIMENSIONS IN MILLIMETERS	MATERIAL:	KASKADE STONE		DRAWING NUMBER	Aix-BRA2-600		SCALE 1:1	A4
	FINISH:	REFER TO ORDER			SHEET 1 OF 1		REV 1	
DRAWING LEGEND	N.W	11 kg	Product Size	600X345X105		 www.kaskadebaths.de		
	G.W	12 kg	Package size	640x400x180				
	LINEAR / ANGULAR TOLERANCES	DRAWN		KASKADE	DATE		02/03/15	
	No Decimals 1 Decimal 2 Decimals	±0.5	±0.2	±0.1	CHK'D		DATE	

REV	DESCRIPTION	DWG	DATE	CHK'D	DATE
1	RELEASE DATE.	KASKADE	02/03/15		