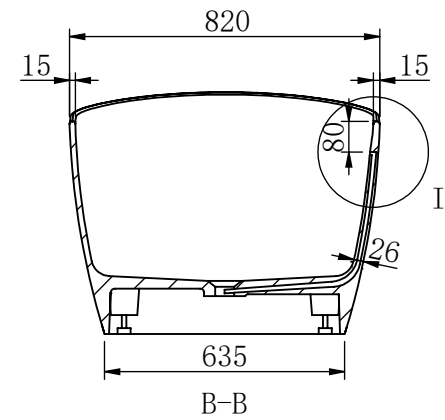


I  
1 : 10



VX24-1625-Diane

**KASKADE**

*Controlliert beheizt*

Nett Weight-124kg - 1625x820x640mm  
Gross Weight-192kg- 1725x920x800mm